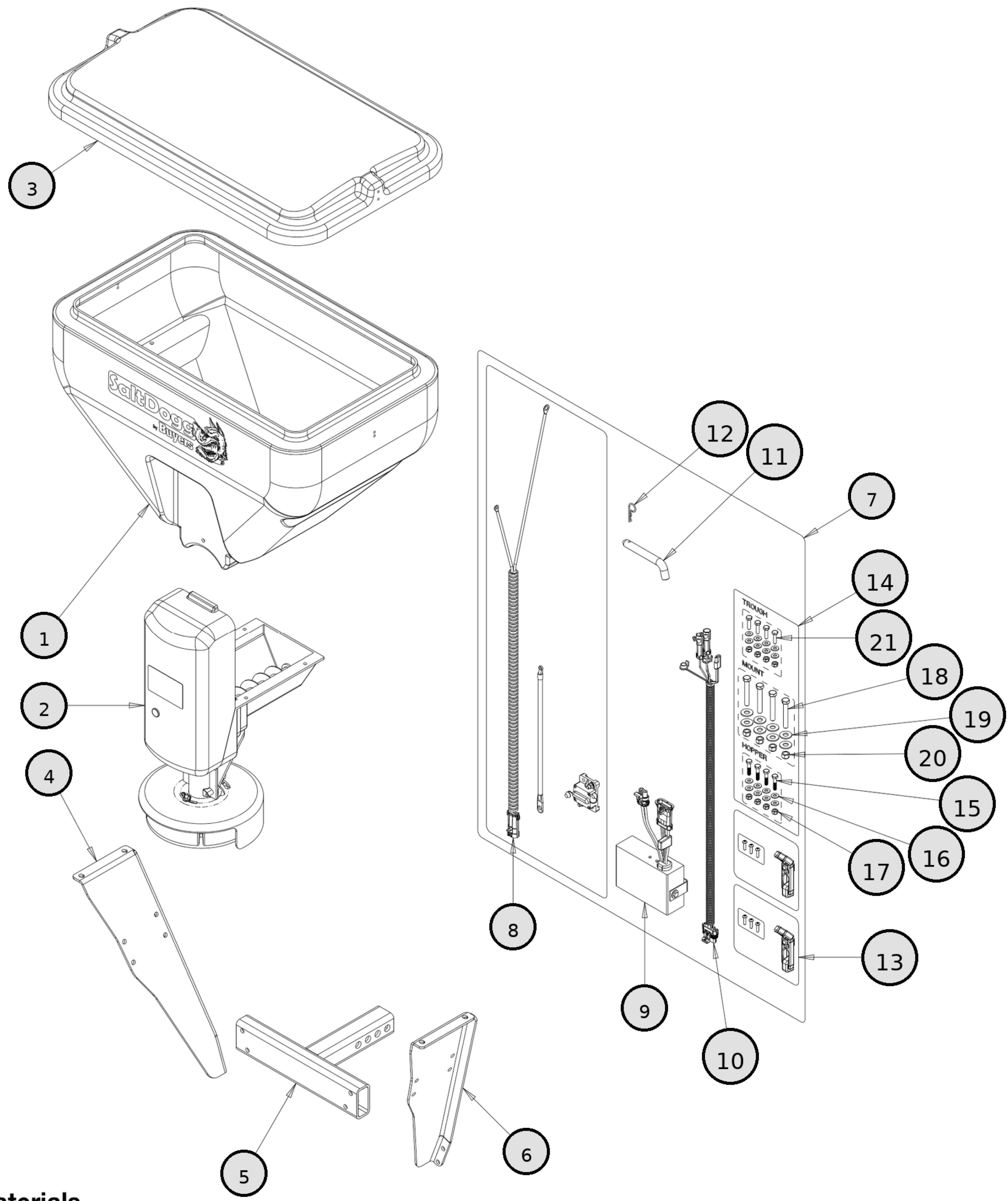




# TGS SERIES TAILGATE SPREADERS

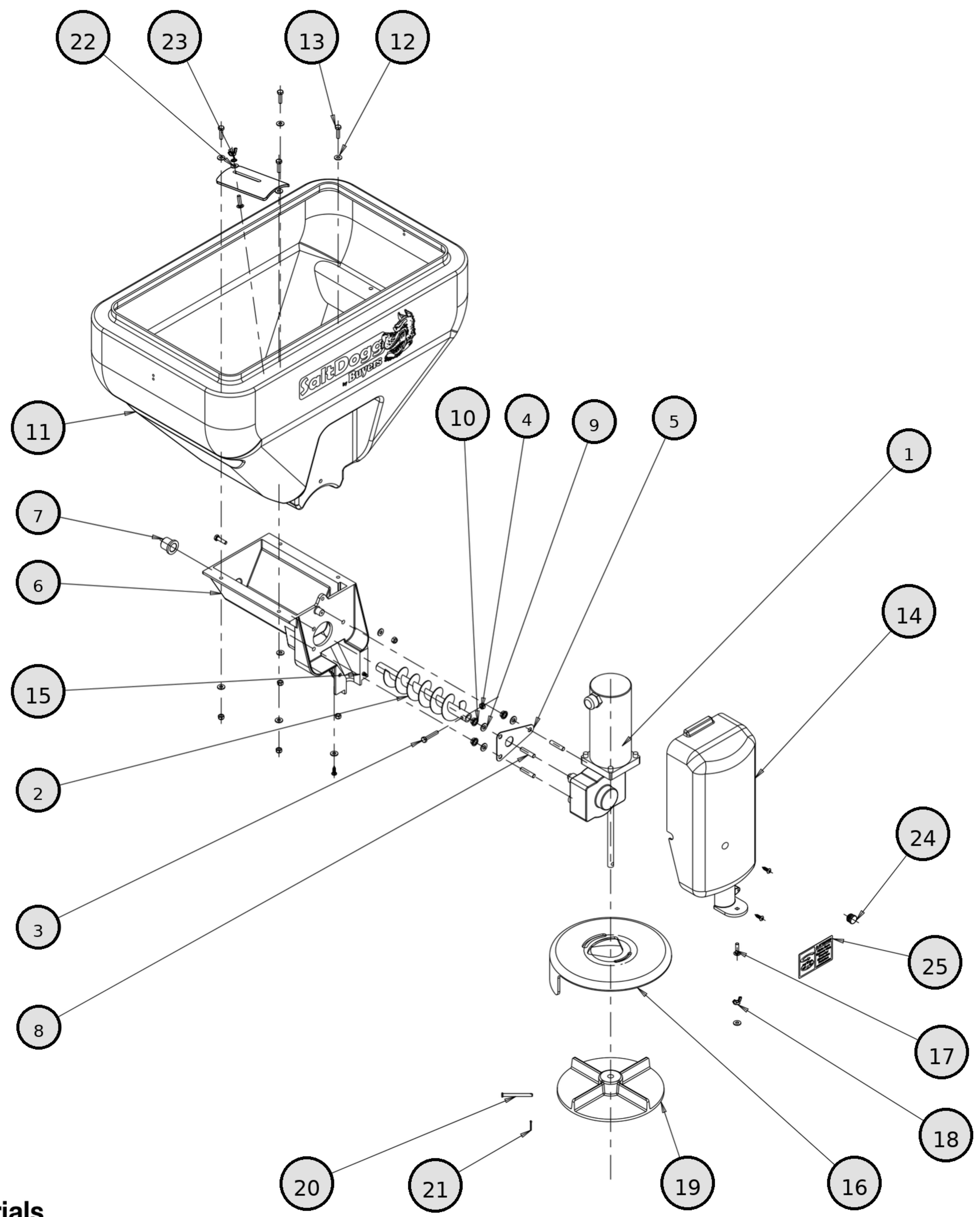
## FIGURE LIST

Page	Description
<b>1</b>	TGS02 MAIN ASSEMBLY, FORMED FRAME (CURRENT)
<b>2</b>	TGS02 TROUGH ASSEMBLY
<b>3</b>	TGS02 MAIN ASSEMBLY, TUBULAR FRAME
<b>4</b>	TGS03 MAIN ASSEMBLY
<b>5</b>	TGS03 HOPPER ASSEMBLY
<b>6</b>	TGS03 TROUGH ASSEMBLY
<b>7</b>	TGS03 HARDWARE KIT
<b>8</b>	TGS06 MAIN ASSEMBLY
<b>9</b>	TGS06 HARDWARE KIT
<b>10</b>	TGS07 MAIN ASSEMBLY
<b>11</b>	TGS07 HOPPER ASSEMBLY
<b>12</b>	TGS07 TROUGH ASSEMBLY
<b>13</b>	TGS07 HARDWARE KIT
<b>14</b>	TGSUV1B MAIN ASSEMBLY
<b>15</b>	TGSUV1B MOTOR ASSEMBLY
<b>16</b>	TGSUVPROA MAIN ASSEMBLY
<b>17</b>	TGSUVPROA HOPPER ASSEMBLY
<b>18</b>	TGSUVPROA HITCH ASSEMBLY
<b>19</b>	TGSUVPROA TGS07 TGS06 TGS03 TGS02 CONTROL WIRING
<b>20</b>	TGSUVPROA TGSUV1B LID ASSEMBLY



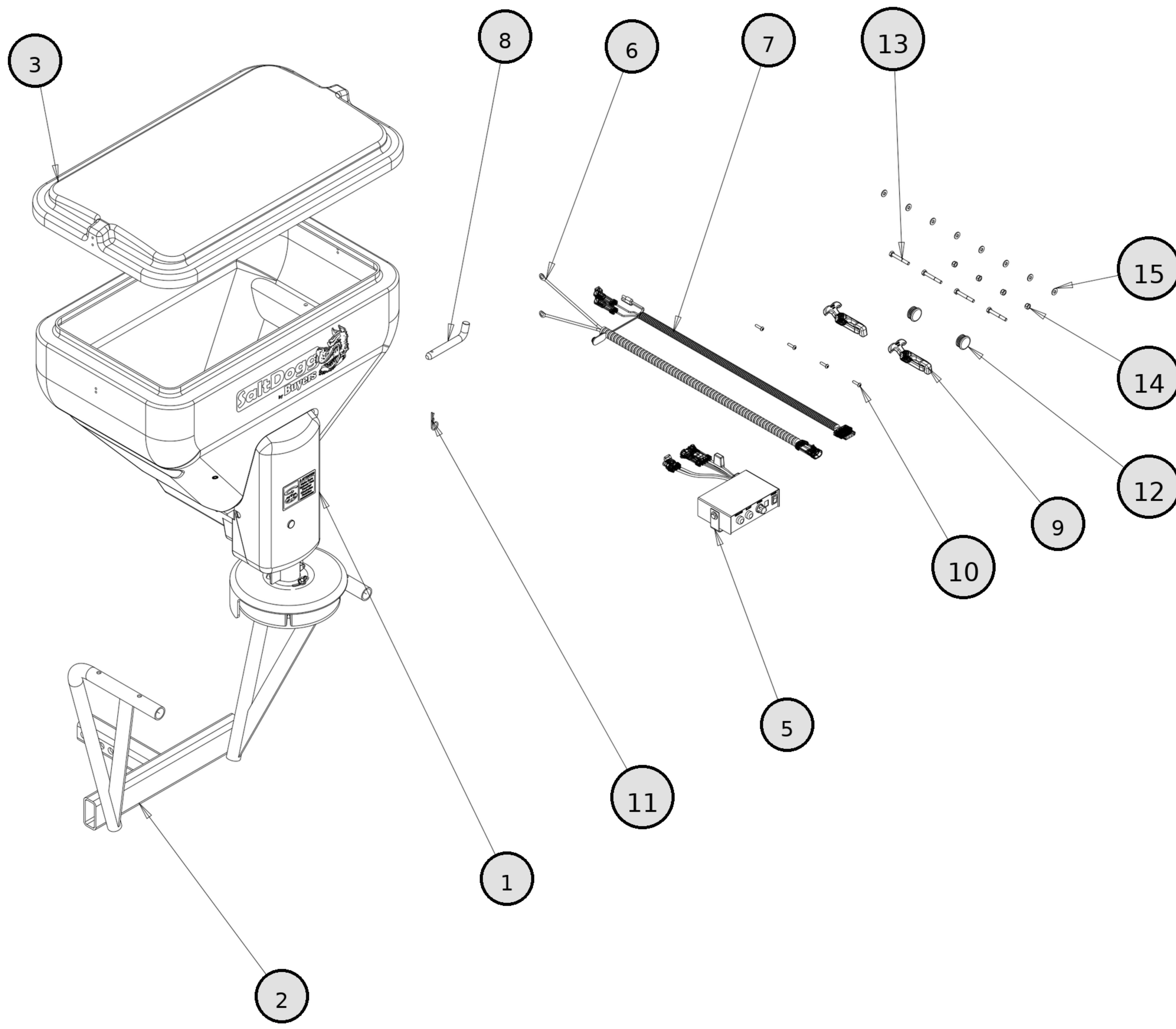
REF	PN	DESCRIPTION
1	3055232	HOPPER ASSEMBLY, TGS02
2	3055234	TROUGH/MOTOR ASSEMBLY, TGS02
3	3024593	LID
4	3055127	DS PLATE, FORMED
5	3055125	HITCH WELDMENT, TGS02
6	3055130	PS PLATE, FORMED
7	3024167	HARDWARE BAG TGS02
8	3035937	KIT POWER CABLE REPLACES 3008615
9	3011864	CONTROLLER TGS W/ VIBRATOR SWITCH
10	3008620	WIRE HARNESS MAIN W/ VIBRATOR, TGS
11	HP6253WC1	PIN, 5/8 HITCH
12	1420016	PIN, HAIR COTTER, CLEAR ZINC
13	WJ215	LATCH DRAW RUBBER
14	3055684	BOLT KIT, TGS02
15	3029601	SCREW HEX HEAD 1/4-20X 1-1/4 SST
16	FWF025063007SS	WASHER, FLAT 1/4 SAE SS
17	FNE025020031SS	NUT, NYLOCK, 1/4-20, GR A, SST
18	3011237	SCREW, HX HD CAP, FTHD, 3/8-16 X 2 1/2, SST
19	FWF038100007SS	WASHER, FLAT 3/8 USS SST
20	FNE038016044SS	NUT, NYLOCK 3/8-16 X 7/16 SST
21	FCS025020100SS	SCREW, CAP HEX HD 1/4-20 X 1 SST

**Materials**  
**MAIN ASSEMBLY, FORMED FRAME (CURRENT)**



REF	PN	DESCRIPTION
1	3024587	GEAR MOTOR 12 VDC. DUAL SHAFT
2	3024588	AUGER
3	FCS025020150SS	SCREW, HHC - 1/4-20 X 1-1/2 SS
4	FNE025020031SS	NUT, NYLON INSERT 1/4-20 SST
5	3024591	RETAINER GEARMOTOR, CHUTE
6	3026097	TROUGH TGS02
7	3024590	SLEEVE BEARING .75 ID FLANGED
8	3027511	STUD THREADED 5/16-18 X 1.5 SST
9	FWF031075006SS	WASHER, 5/16 SAE SST
10	3006719	NUT, HEX FLANGE - 5/16-18 SS
11	3026096	HOPPER TGS02
12	FWF025063007SS	WASHER, FLAT 1/4 SAE SS
13	FCS025020100SS	SCREW, CAP HEX HD 1/4-20 X 1 SST
14	3026098	COVER, GEAR MOTOR
15	3026118	SCREW, SHT MET #12X 3/4 SST
16	3024168	SHIELD
17	FCB025020100SS	BOLT, CARRIAGE, 1/4-20 X 1 SST
18	3016751	NUT, WING 1/4-20 SST
19	3010970	SPINNER, POLY, TGS06
20	1420014	PIN CLEVIS, 1/4 X 2.5
21	FPC007800075	COTTER PIN, 5/64 X 3/4
22	3024180	FLOW GATE
23	3023463	WASHER, LOCK, 1/4IN, SST, EXT
24	3027662	PLUG ROUND TUBE 3/4-14-20 WALL
25	3027608	DECAL, CORRECT ROTATION

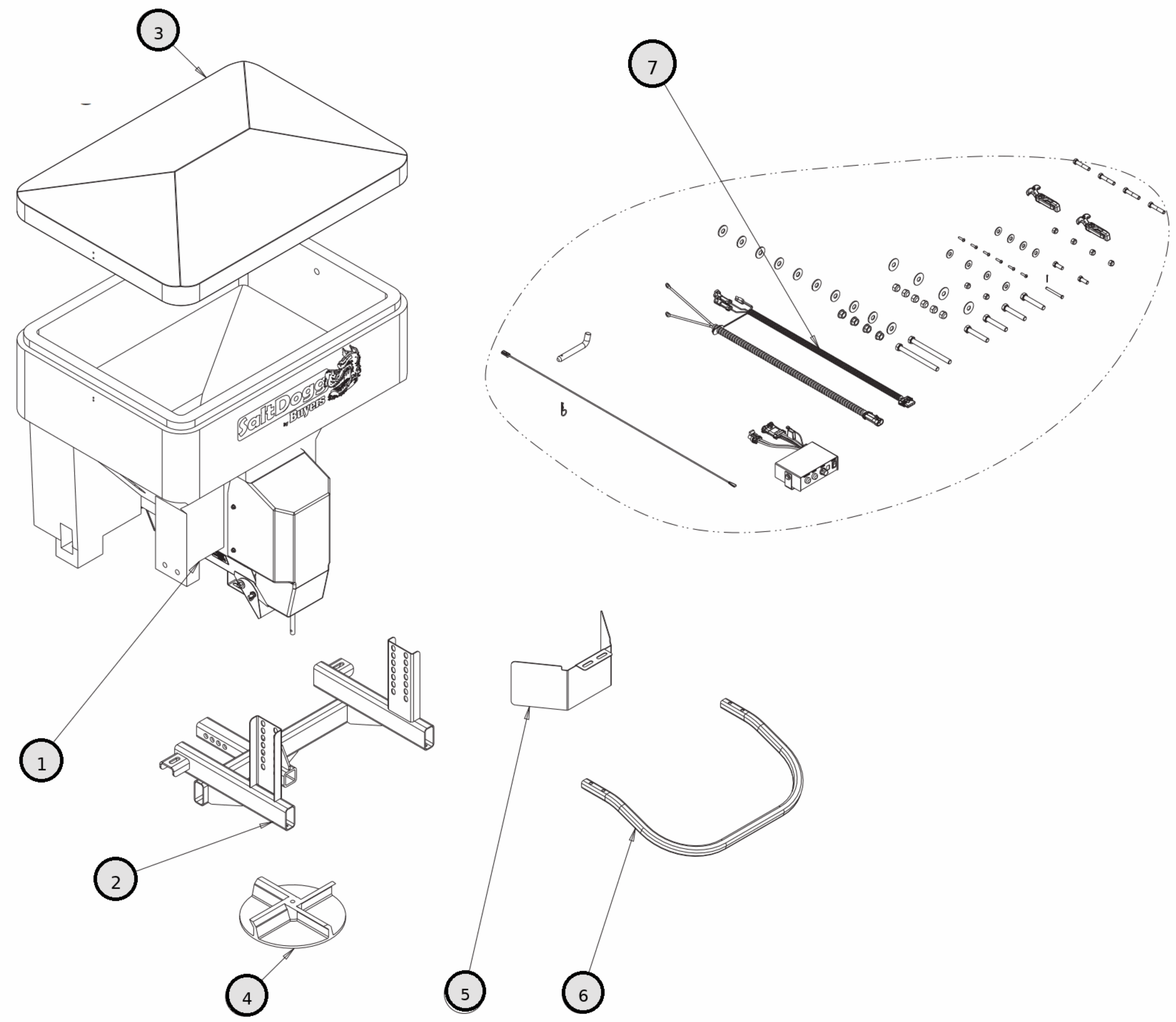
Serials  
**TROUGH ASSEMBLY**  
 TGS02



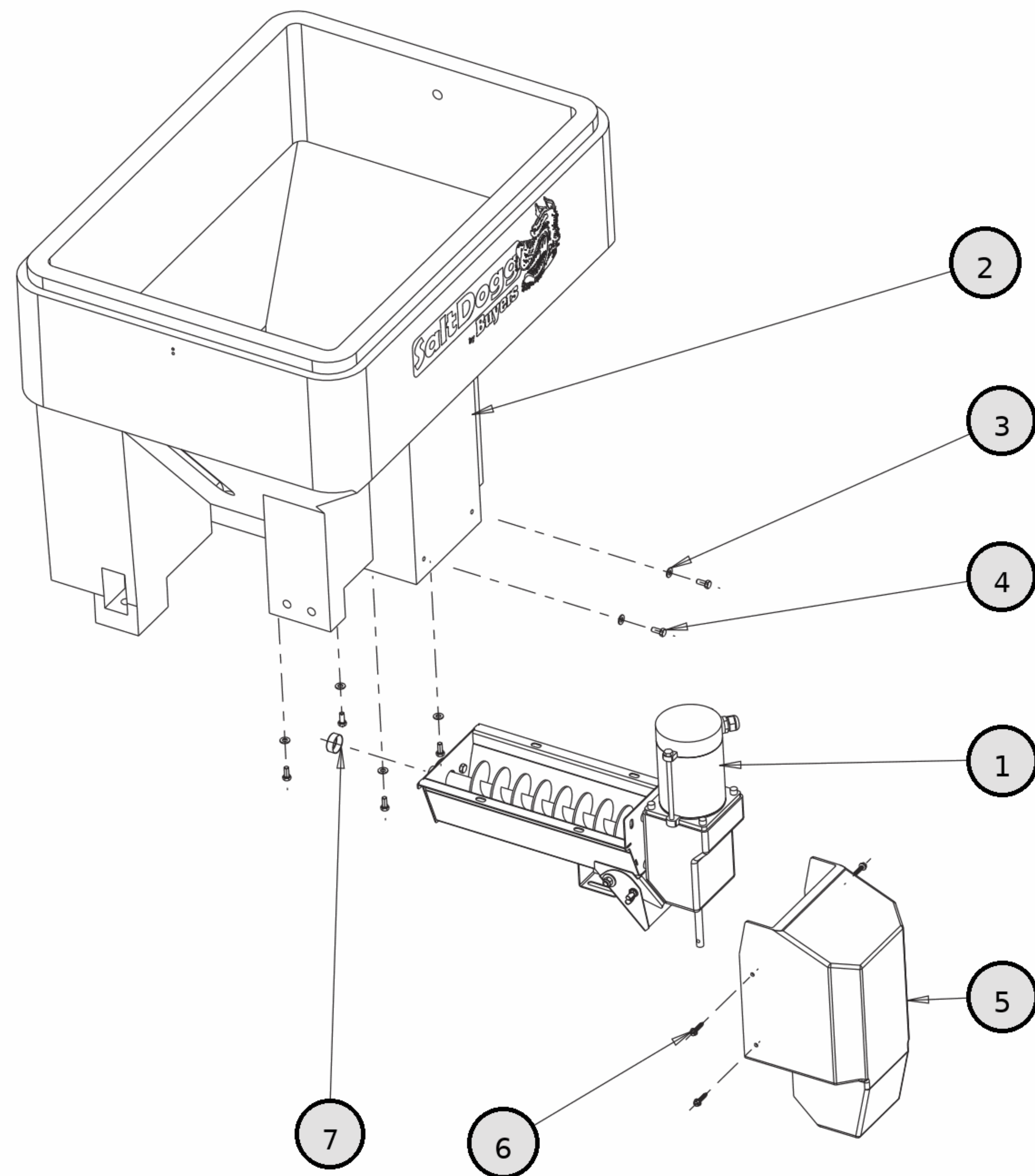
REF	PN	DESCRIPTION
1	3026099	HOPPER ASSEMBLY TGS02
2	3024170	FRAME WELDMENT
3	3024593	LID
4	3024167	HARDWARE BAG TGS02
5	3011864	CONTROLLER TGS W/ VIBRATOR SWITCH
6	3035943	WIRE HARNESS, POWER TGS
7	3008620	WIRE HARNESS MAIN W/ VIBRATOR, TGS
8	HP6253WC1	PIN, 5/8 HITCH
9	WJ215	LATCH DRAW RUBBER
10	FBSH01002475SS	SCREW, BHC #10-24 X .75 SST
11	1420016	PIN, HAIR COTTER, CLEAR ZINC
12	3026613	PLUG TUBE 1.25 OD, 10-14 WALL
13	3017932	SCREW, CAP HEX HD 1/4-20X2.0 SST
14	FNE025020031SS	NUT, NYLON INSERT 1/4-20 SST
15	FWF025063007SS	WASHER, FLAT 1/4 SAE SS

**MAIN ASSEMBLY, TUBULAR FRAME**

TGS02



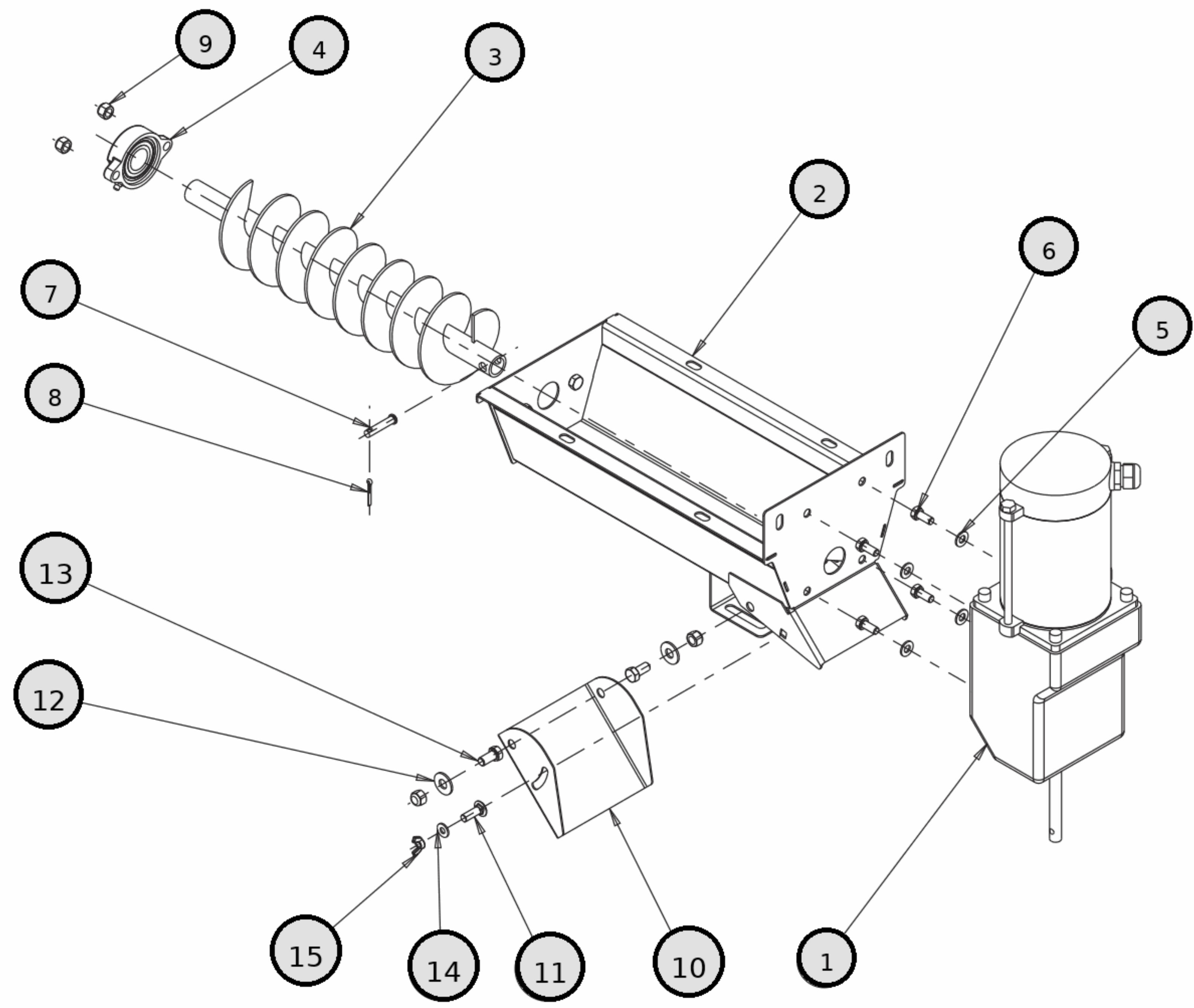
REF	PN	DESCRIPTION
1	3019372	HOPPER ASSY
2	3019400	FRAME WELDMENT
3	3019410	POLY LID FOR SALTDogg® TGS03 TAILGATE SPREADER
4	3019561	REPLACEMENT 12 INCH SPINNER FOR SALTDogg® TGS03 AND TGS07 SPREADERS
5	3015707	SHIELD FOR TGS07 TAILGATE SPREADER
6	3018923	SPINNER PROTECTOR, ORANGE
6	3028636	DISK PROTECTOR, BLACK
7	3019408	HARDWARE KIT



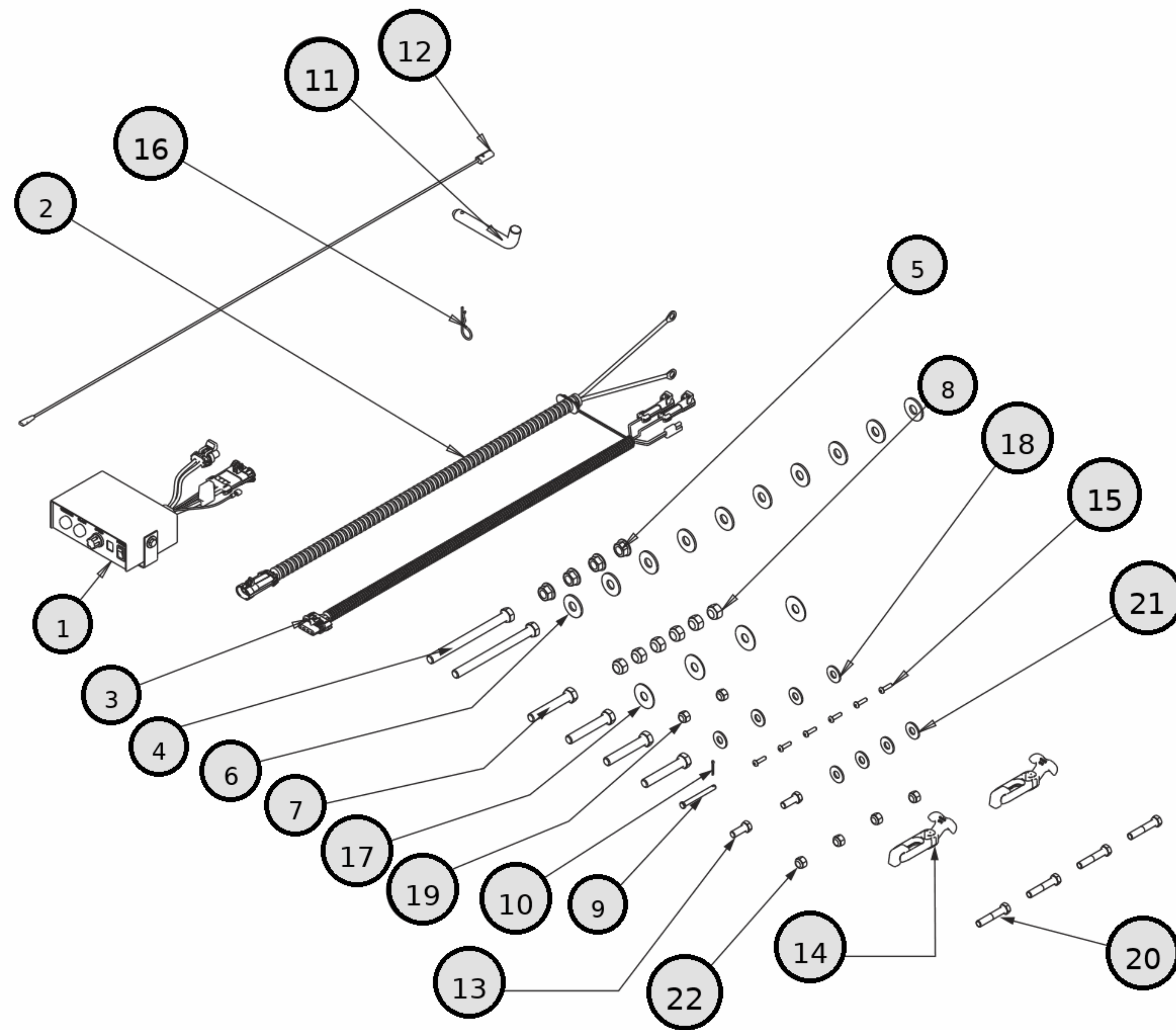
REF	PN	DESCRIPTION
OPT	3018599	INTERNAL BAFFLE KIT, TGS03/07
1	3015383	TROUGH ASSEMBLY FOR TGS07 TAILGATE SPREADER
1	3019870	REPLACEMENT 1/2 INCH GEARBOX 3015377 SPINNER SHAFT FOR SALTDogg® SPREADER TGS03 AND TGS07 2010/2011
1	3027636	REPLACEMENT GEAR MOTOR SHAFT FOR 2012+ TGS07 TROUGH ASSEMBLY
2	3019471	HOPPER
3	FWF031075006SS	WASHER,FLAT,5/16IN SAE,SST
4	3006721	SCREW,CAP 5/16IN-18 X3/4IN,SST
5	3015694	MOTOR COVER FOR TGS07 TAILGATE SPREADER
6	3015925	SCREW SHT MTL #14X1.25 WSHR HD SST
7	3017984	CAP, 1-5/16 ROUND, VINYL

## HOPPER ASSEMBLY

TGS03



REF	PN	DESCRIPTION
NAN	3015383	TROUGH ASSEMBLY FOR TGS07 TAILGATE SPREADER
1	3015377	REPLACEMENT .4 HP 12 VDC DUAL SHAFT GEAR MOTOR FOR TGS03 AND TGS07
1	3018358	REPLACEMENT GEARBOX MOTOR FOR 3015377
1	3018359	REPLACEMENT GEARBOX 3015377 FOR SALTDogg® TGS03 AND TGS07 SPREADERS
1	3019870	REPLACEMENT 1/2 INCH GEARBOX 3015377 SPINNER SHAFT FOR SALTDogg® SPREADER TGS03 AND TGS07 2010/2011
1	3027636	REPLACEMENT GEAR MOTOR SHAFT FOR 2012+ TGS07 TROUGH ASSEMBLY
1	3028284	GEARBOX REPAIR KIT FOR DUAL SHAFT GEAR MOTOR 3015377
1	3054946	REPAIR PIGTAIL, TGS SPINNER, MOTOR SIDE
2	3015381	TROUGH WELDMNT, TGS03/07
3	3015382	REPLACEMENT BLACK AUGER FOR SALTDogg® TGS03 AND TGS07 SPREADERS
4	1411000	BEARING,SELF ALIGNING FLANGED 1IN
5	FWF031075006SS	WASHER,FLAT,5/16IN SAE,SST
6	3006721	SCREW,CAP 5/16IN-18 X3/4IN,SST
7	FPY031000150	PIN,CLEVIS,SHK DIA .313,OAL 1.500
8	3014994	COTTER PIN 1/8IN X 1IN SST
9	FNE038016044SS	NUT-NYLOCK, 3/8-16 X 7/16 THK,SST
10	3019374	ADJUSTABLE DISCHARGE
11	3012144	BOLT,CARRIAGE, 5/16-18 X 3/4 RD HD SST
12	FWF038100007SS	WASHER-FLAT USS, 3/8IN, SST
13	FCS038016075SS	SCREW,HEX HD CAP 3/8-16X3/4SST
14	FWF025063007SS	WASHER,FLAT,1/4IN SAE,SST
15	3016751	WING NUT, 1/4-20 SST

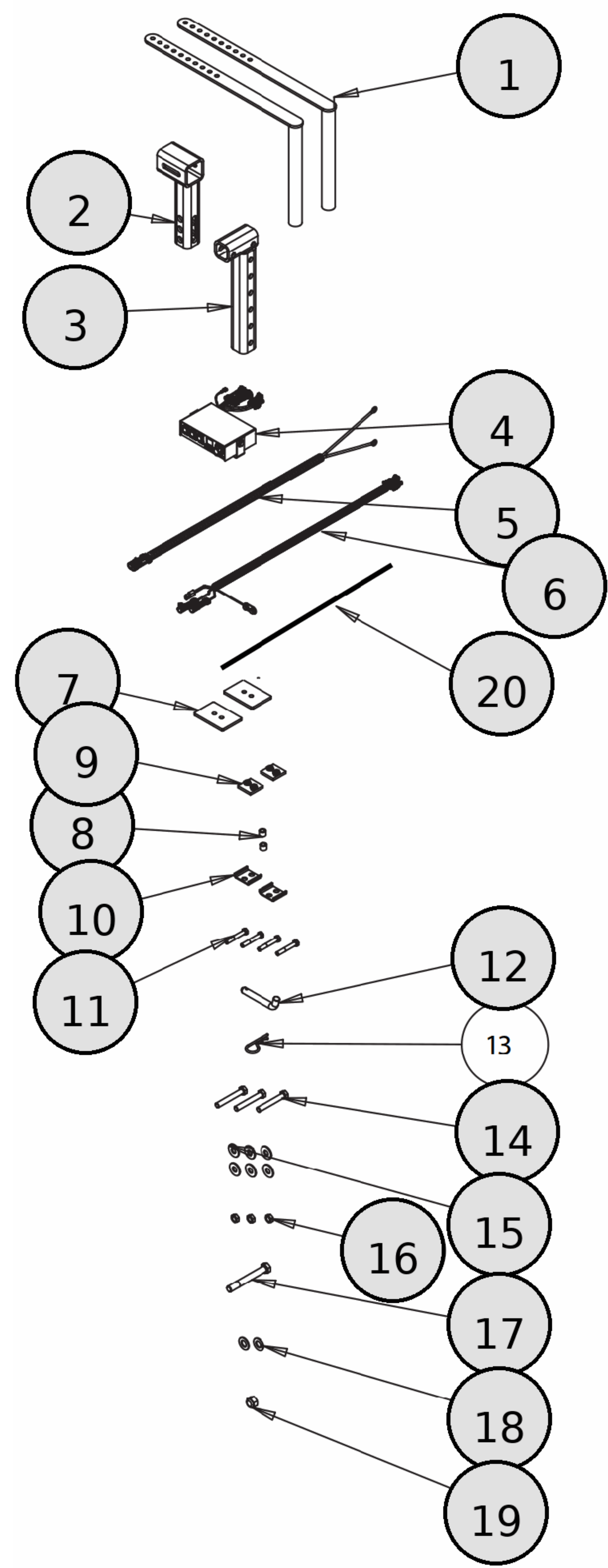


REF	PN	DESCRIPTION
NAN	3018421	ANTI SEIZE LUBRICANT POUCH 5 GR
1	3011864B	REPLACEMENT VARIABLE SPEED CONTROLLER FOR SALTDOGG® TGS SERIES SPREADERS
1	3021616	REPLACEMENT CONTROLLER ROCKER SWITCH FOR 3014199 AND 3011864
2	3035937	KIT POWER CABLE REPLACES 3008615
2A	3035934	WIRE HARNESS POWER TGS
2C	3001379	CABLE, BATTERY RED 14IN LENGTH
3	3008620	REPLACEMENT WIRE HARNESS WITH VIBRATOR CONNECTION FOR SALTDOGG® TGS SERIES SPREADERS
3	3020301	CONNECTOR REPAIR KIT, TGS SPINNER
3	3020301	REPLACEMENT SPREADER SIDE WIRE HARNESS KIT FOR SALTDOGG® TGS SERIES SPREADERS
3	3054945	REPAIR PIGTAIL, TGS SPINNER, HARNESS SIDE
4	3017039	HEX HEAD SCREW, 1/2-13 X 6 SST FULL THREAD
5	3001523	NUT,HEX, SERRATED FLANGE,1/2-13, SST
6	3000269	WASHER, FLAT,1/2IN USS, SST
7	3001250	SCREW,CAP,HEX HD,1/2-13 X 3
8	FNE050013053SS	NUT, ELASTIC STOP,1/2-13,SST
9	1420014	PIN,CLEVIS,SHK DIA .250,OAL 2.509
10	FPC007800075	COTTER PIN 5/64 X 3/4IN,
11	HP6253WC	HITCH PIN, 5/8
12	0203700	WIRE ASSY,36IN LONG
13	FCS038016100SS	SCREW CAP-3/8IN-16 X 1IN, HEX HEAD, SST
14	WJ215	4-1/2 INCH RUBBER/POLYMER DRAW LATCH
15	FBSH01002475SS	SCREW, BUTTON HEAD, #10-24 X 3/4 SST
16	1420016	HAIR SPRING COTTER PIN,
17	3017858	WASHER,FENDER,.531 ID X1.50 OD X.062,
18	FWF038100007SS	WASHER-FLAT USS, 3/8IN, SST
19	FNE038016044SS	NUT-NYLOCK, 3/8-16 X 7/16 THK,SST
20	FCS038016200	HEX HEAD SCREW, 3/8-16 X 2 GR 5 ZP
21	FWF038100007	WASHER-FLAT USS, 3/8, PLATED
22	FNE038016044	NUT,HEX NYLOCK 3/8-16 ZN

## HARDWARE KIT

TGS03

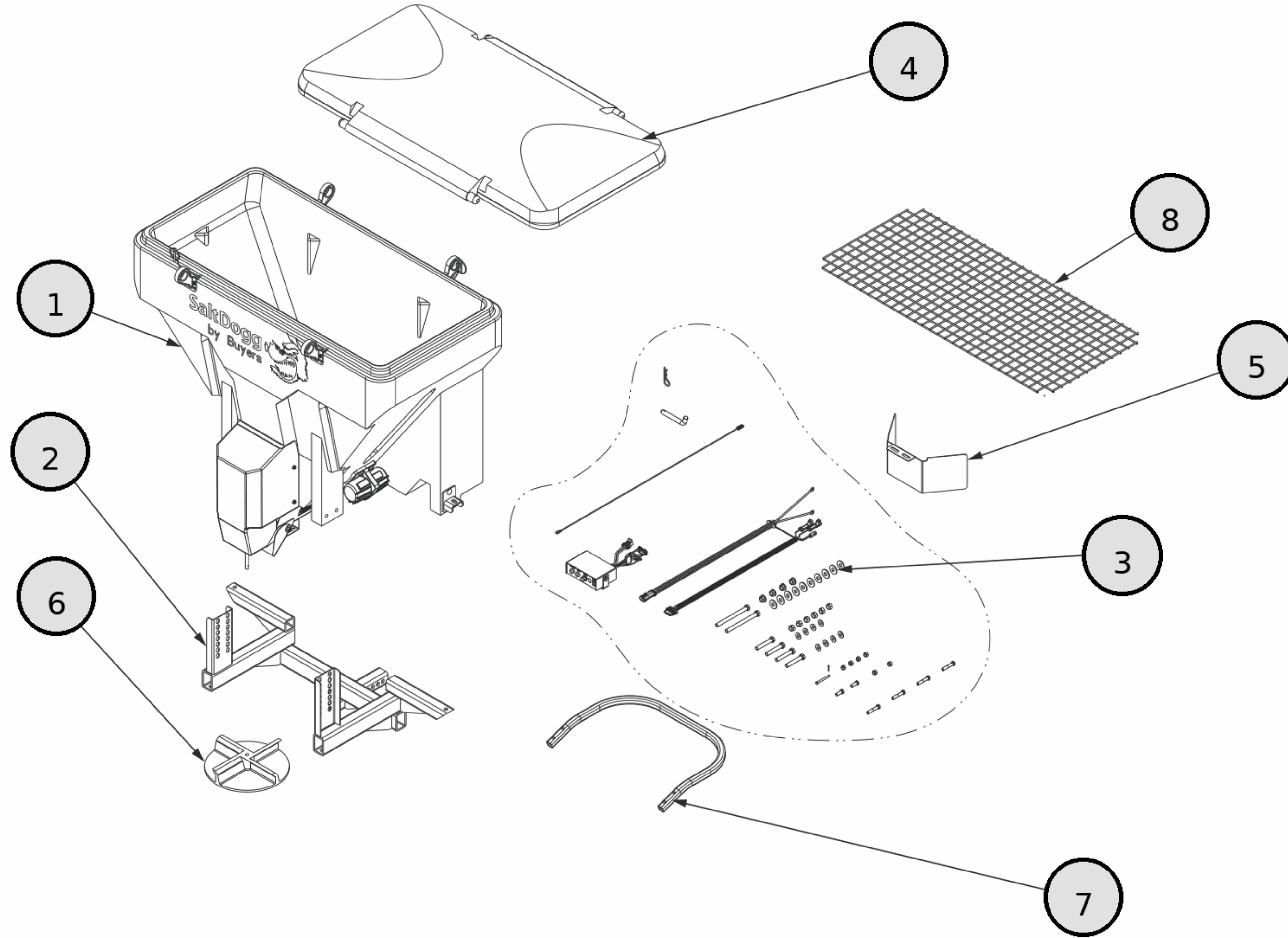




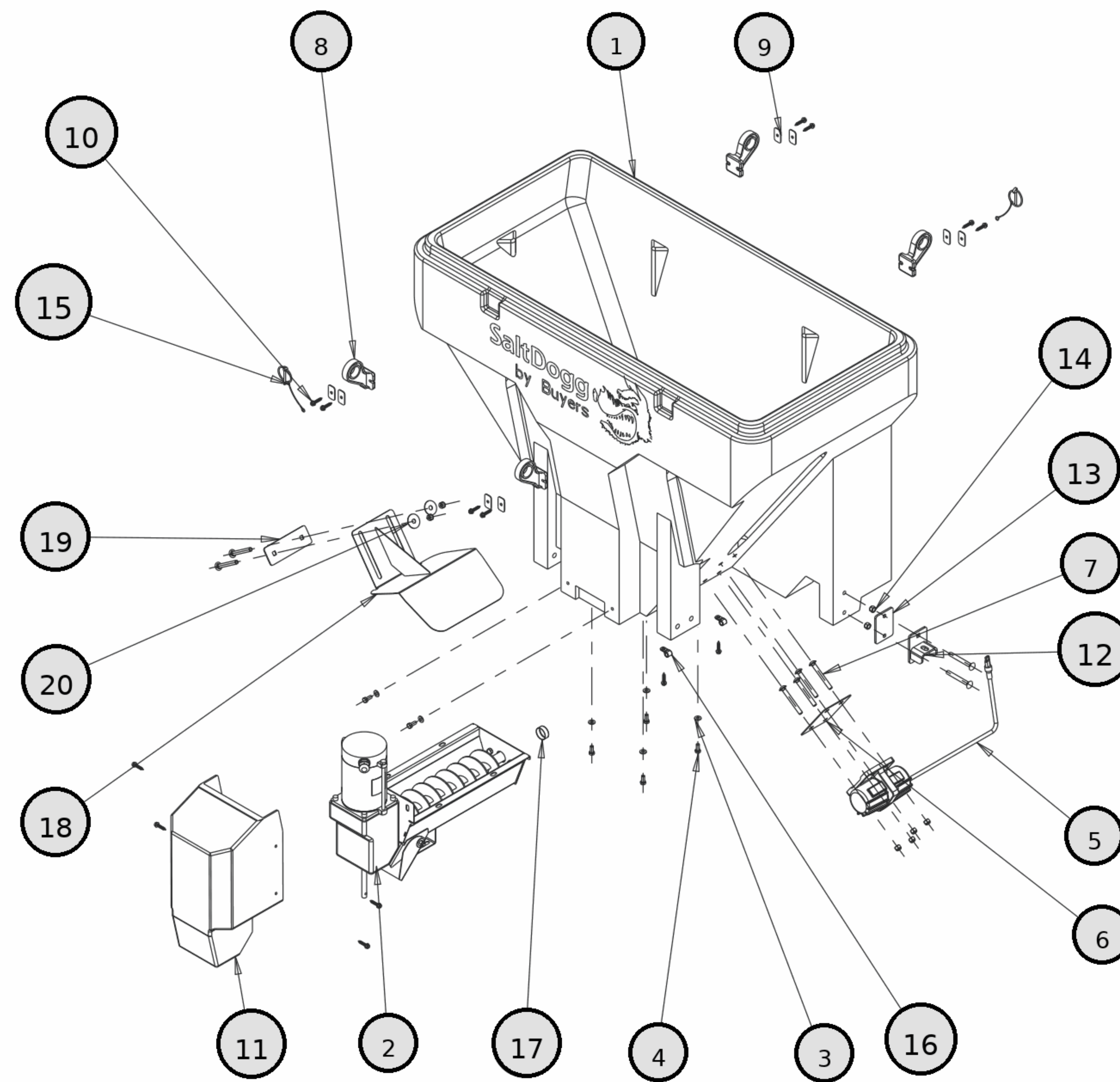
REF	PN	DESCRIPTION
1	3009066	PIN FOR 3008894 ENGINE DECK
2	3009872	HITCH RECEIVER,ASSEMBLY
3	3009873	ADJUSTER,HITCH
4	3011864B	CONTROLLER,TGS.W/VIBRATOR SWITCH 09/10
5	3035937	*DISCONTINUED REPLACED BY 3035937*
6	3008620	WIRE HARNESS W/ VIBRATOR CONNECTION
7	3009869	PLATE,COVER,STAKE POCKET
8	3010292	SPACER,STAKE POCKET
9	3007795	PLATE,RETAINER NUT, 025000A,ZINC
10	3007755	PLATE RETAINER,025000A,ZINC & CEAR
11	3011237	SCREW, HX HD CAP 3/8-16X2 1/2,SST FULTHD
12	HP6253WC	HITCH PIN 5/8IN ONLY ZINC PLATED
14	3005140	SCREW,HEX HD CAP,1/2-13X3.5 GR 5,ZINC
15	FWF050138014	WASHER,FLAT 1/2IN USS, ZINC
16	3002397	LOCKNUT,HEX NYLOCK, 1/2-13,ZINC GR 8
17	3007327	SCREW,HH CAP,5/8-11 X 5.00 GR 8,ZN SPCL
18	FWF063131095	WASHER,FLAT 5/8 ID X 1-5/16 OD, ZN
19	3001247	NUT,HEX,NYLON INSERT, 5/8-11
20	3001379	CABLE, BATTERY RED 14IN LENGTH
21	CB50PB	CIRCUIT BREAKER,50 AMP,PUSH-TO-TRIP,

**HARDWARE KIT**

TGS06



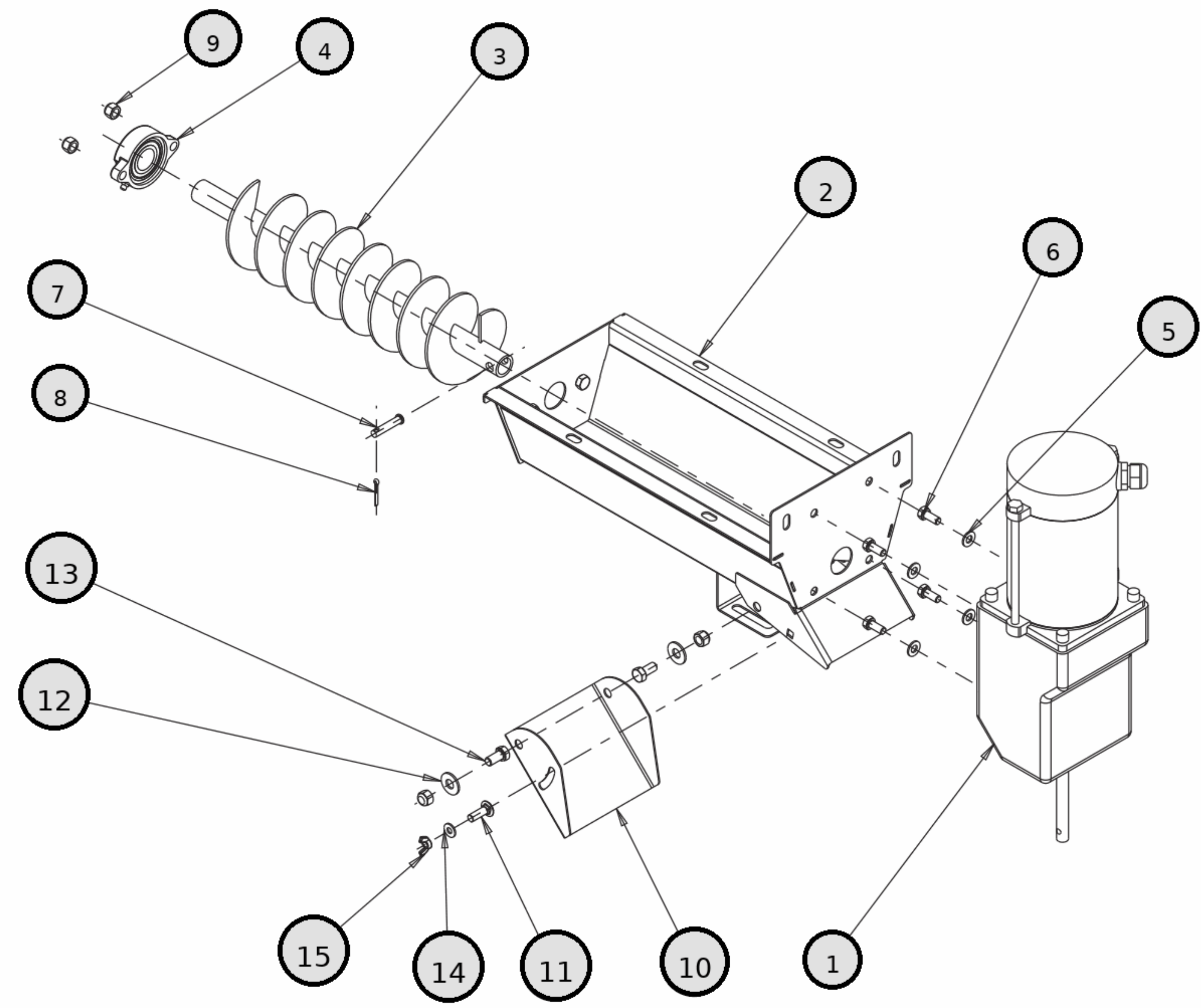
REF	PN	DESCRIPTION
1	3015380	HOPPER ASSY
2	3015859	FRAME
3	3020207	HARDWARE BOX FOR SALTDOGG® TGS07 TAILGATE SPREADER
4	3015926	LID
5	3015707	SHIELD FOR TGS07 TAILGATE SPREADER
6	3019561	REPLACEMENT 12 INCH SPINNER FOR SALTDOGG® TGS03 AND TGS07 SPREADERS
7	3018923	SPINNER PROTECTOR, ORANGE
7	3028636	DISK PROTECTOR, BLACK
8	3018781	REPLACEMENT SCREEN FOR SALTDOGG® TGS07 SPREADER



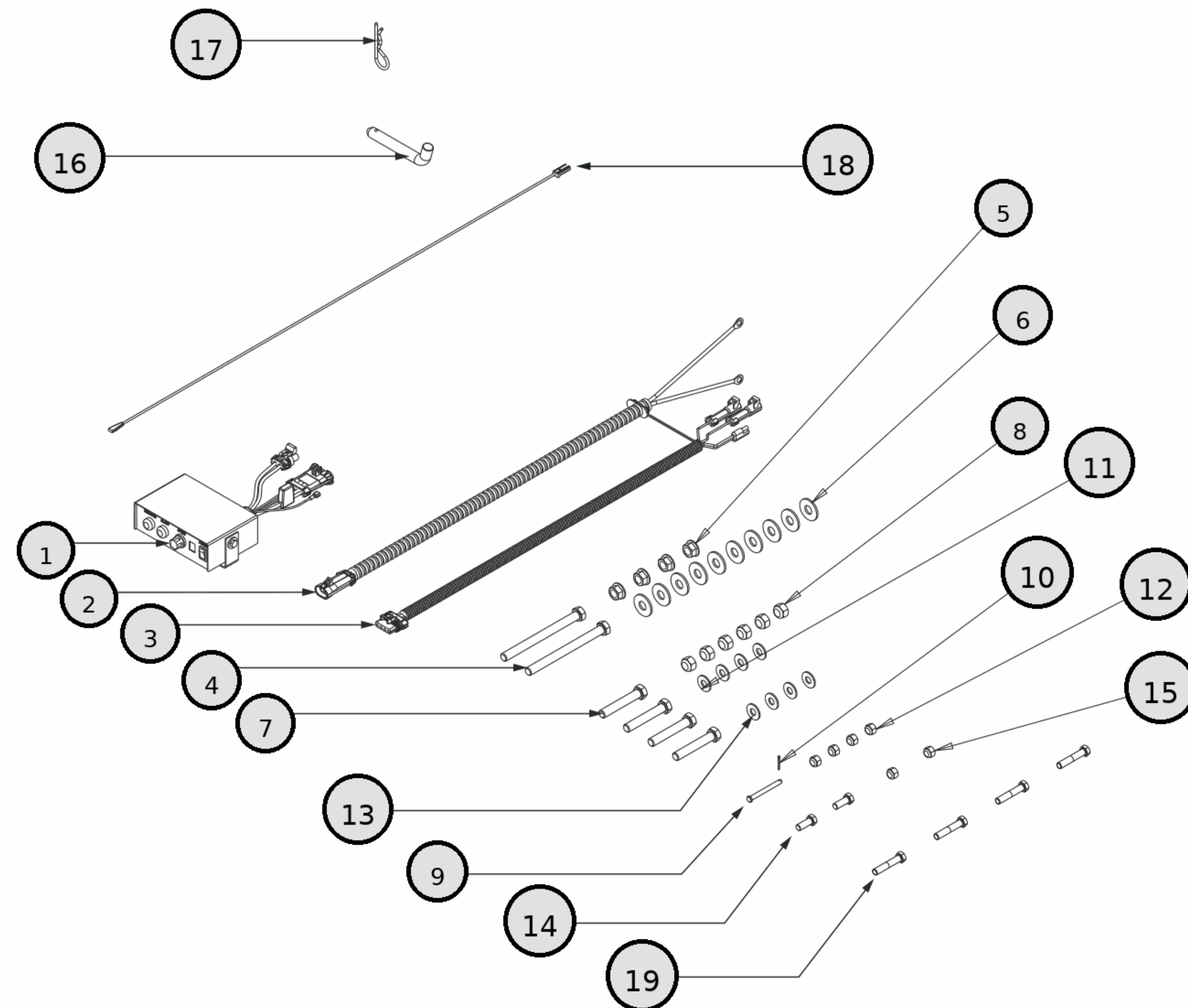
REF	PN	DESCRIPTION
1	3015379	HOPPER
2	3015383	TROUGH ASSEMBLY FOR TGS07 TAILGATE SPREADER
3	FWF031075006SS	WASHER,FLAT,5/16IN SAE,SST
4	3006721	SCREW,CAP 5/16IN-18 X3/4IN,SST
5	3007416	200 POUND VIBRATOR
5	3054942	REPAIR PIGTAIL, VIBRATOR
6	3017030	VIBRATOR RETAINER PLATE
7	3017028	CARRIAGE BOLT, 3/8-16X3-1/4 SST
8	3016021	LID HINGE FOR SALTDogg® TGS07 TAILGATE SPREADER
9	3016983	HINGE RETAINER
10	3015925	SCREW SHT MTL #14X1.25 WSHR HD SST
11	3015694	MOTOR COVER FOR TGS07 TAILGATE SPREADER
12	3016670	DRAW BRACKET, TGS03/07
13	3017029	DRAW BRACKET RETAINER, TGS03/07
14	FNE038016044SS	NUT-NYLOCK, 3/8-16 X 7/16 THK,SST
15	3016979	LYNCH PIN, 3/16
16	4375	CLAMP,HOSE .4375, 9/32 HOLE
17	3017984	CAP, 1-5/16 ROUND, VINYL
18	3018773	BAFFLE WELDMENT FOR SALTDogg® TGS07, TSST
19	3018922	BAFFLE RETAINER
20	3007115	WASHER,FENDER,3/8IN, 1.5IN OD X .062 SST

## HOPPER ASSEMBLY

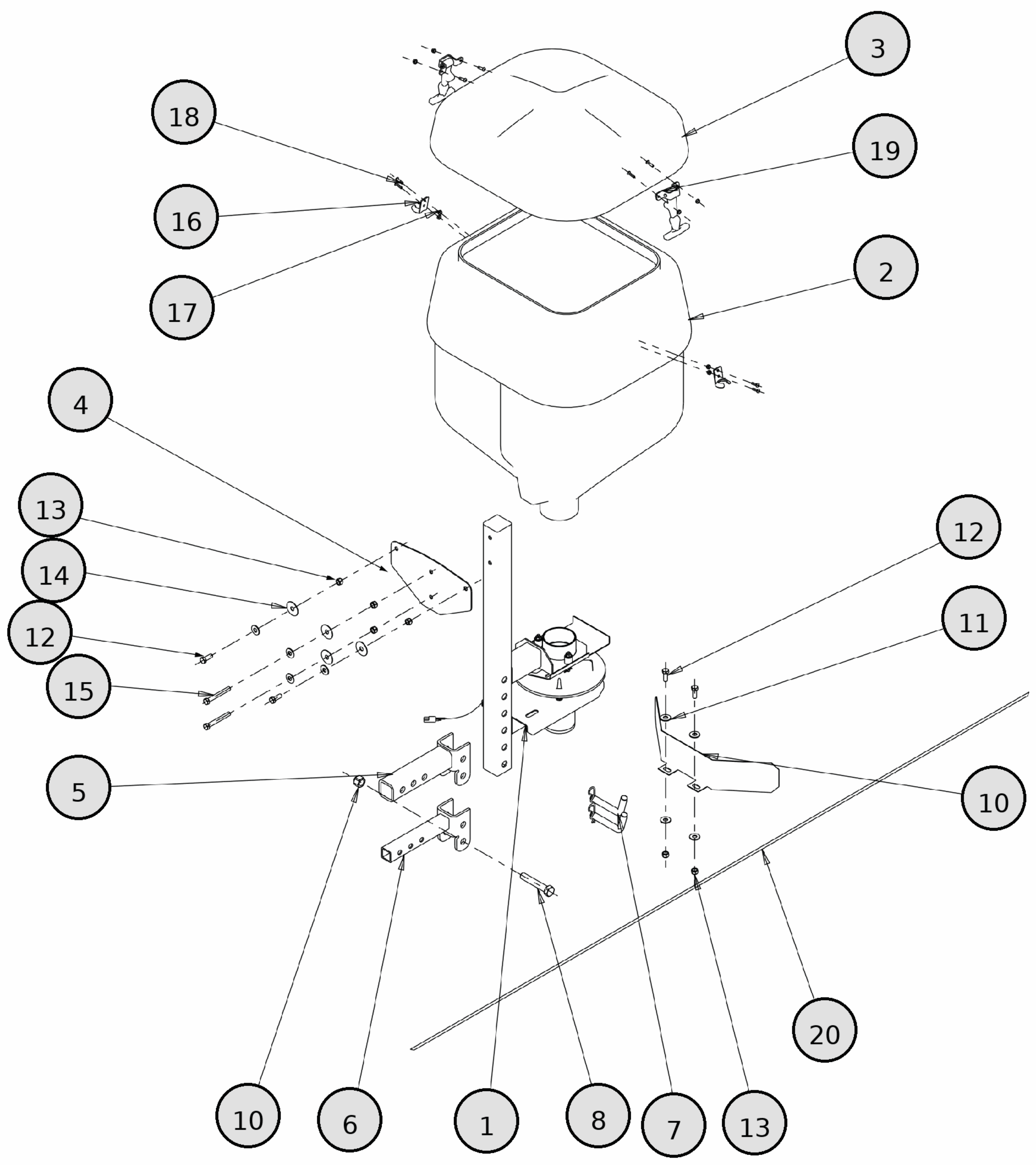
TGS07



REF	PN	DESCRIPTION
NAN	3015383	TROUGH ASSEMBLY FOR TGS07 TAILGATE SPREADER
1	3015377	REPLACEMENT .4 HP 12 VDC DUAL SHAFT GEAR MOTOR FOR TGS03 AND TGS07
1	3018358	REPLACEMENT GEARBOX MOTOR FOR 3015377
1	3018359	REPLACEMENT GEARBOX 3015377 FOR SALTDogg® TGS03 AND TGS07 SPREADERS
1	3019870	REPLACEMENT 1/2 INCH GEARBOX 3015377 SPINNER SHAFT FOR SALTDogg® SPREADER TGS03 AND TGS07 2010/2011
1	3027636	REPLACEMENT GEAR MOTOR SHAFT FOR 2012+ TGS07 TROUGH ASSEMBLY
1	3028284	GEARBOX REPAIR KIT FOR DUAL SHAFT GEAR MOTOR 3015377
1	3054946	REPAIR PIGTAIL, TGS SPINNER, MOTOR SIDE
2	3015381	TROUGH WELDMNT, TGS03/07
3	3015382	REPLACEMENT BLACK AUGER FOR SALTDogg® TGS03 AND TGS07 SPREADERS
4	1411000	BEARING,SELF ALIGNING FLANGED 1IN
5	FWF031075006SS	WASHER,FLAT,5/16IN SAE,SST
6	3006721	SCREW,CAP 5/16IN-18 X3/4IN,SST
7	FPY031000150	PIN,CLEVIS,SHK DIA .313,OAL 1.500
8	3014994	COTTER PIN 1/8IN X 1IN SST
9	FNE038016044SS	NUT-NYLOCK, 3/8-16 X 7/16 THK,SST
10	3019374	ADJUSTABLE DISCHARGE
11	3012144	BOLT,CARRIAGE, 5/16-18 X 3/4 RD HD SST
12	FWF038100007SS	WASHER-FLAT USS, 3/8IN, SST
13	FCS038016075SS	SCREW,HEX HD CAP 3/8-16X3/4SST
14	FWF025063007SS	WASHER,FLAT,1/4IN SAE,SST
15	3016751	WING NUT, 1/4-20 SST

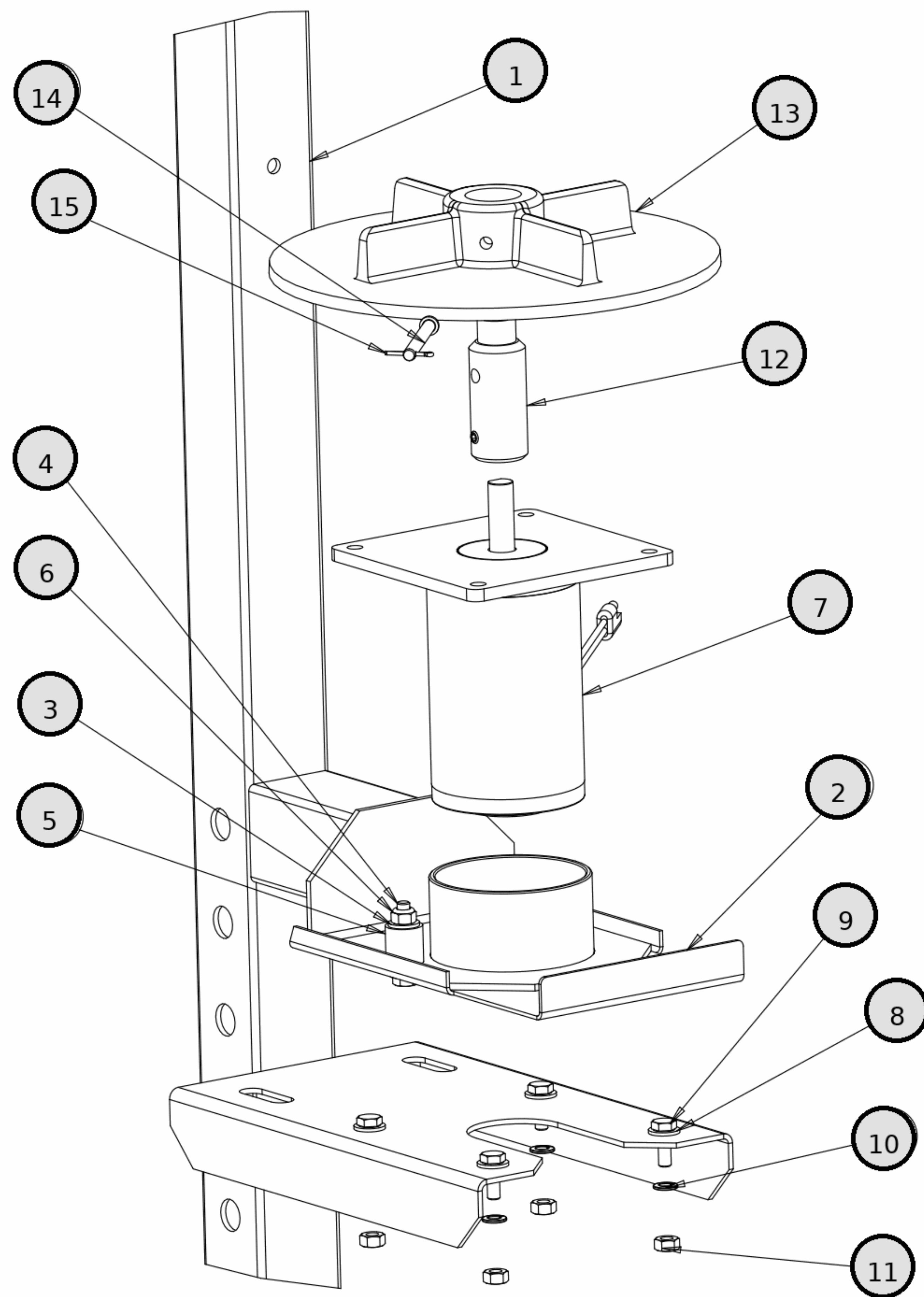


REF	PN	DESCRIPTION
NAN	3018421	ANTI SEIZE LUBRICANT POUCH 5 GR
1	3011864B	REPLACEMENT VARIABLE SPEED CONTROLLER FOR SALTDOGG® TGS SERIES SPREADERS
1	3021616	REPLACEMENT CONTROLLER ROCKER SWITCH FOR 3014199 AND 3011864
2	3035937	KIT POWER CABLE REPLACES 3008615
2A	3035934	WIRE HARNESS POWER TGS
2C	3001379	CABLE, BATTERY RED 14IN LENGTH
3	3008620	REPLACEMENT WIRE HARNESS WITH VIBRATOR CONNECTION FOR SALTDOGG® TGS SERIES SPREADERS
3	3020301	CONNECTOR REPAIR KIT, TGS SPINNER
3	3054945	REPAIR PIGTAIL, TGS SPINNER, HARNESS SIDE
4	3017039	HEX HEAD SCREW, 1/2-13 X 6 SST FULL THREAD
5	3001523	NUT,HEX, SERRATED FLANGE,1/2-13, SST
6	3000269	WASHER, FLAT,1/2IN USS, SST
7	3001250	SCREW,CAP,HEX HD,1/2-13 X 3
8	FNE050013053SS	NUT, ELASTIC STOP,1/2-13,SST
9	1420014	PIN,CLEVIS,SHK DIA .250,OAL 2.509
10	FPC007800075	COTTER PIN 5/64 X 3/4IN,
11	FWF038100007	WASHER-FLAT USS, 3/8, PLATED
12	FNE038016044	NUT,HEX NYLOCK 3/8-16 ZN
13	FWF038100007SS	WASHER-FLAT USS, 3/8IN, SST
14	FCS038016100SS	SCREW CAP-3/8IN-16 X 1IN, HEX HEAD, SST
15	FNE038016044SS	NUT-NYLOCK, 3/8-16 X 7/16 THK,SST
16	HP6253WC	HITCH PIN, 5/8
17	HP12	REPLACEMENT COTTER PIN
18	0203700	WIRE ASSY,36IN LONG
19	FCS038016200	HEX HEAD SCREW, 3/8-16 X 2 GR 5 ZP

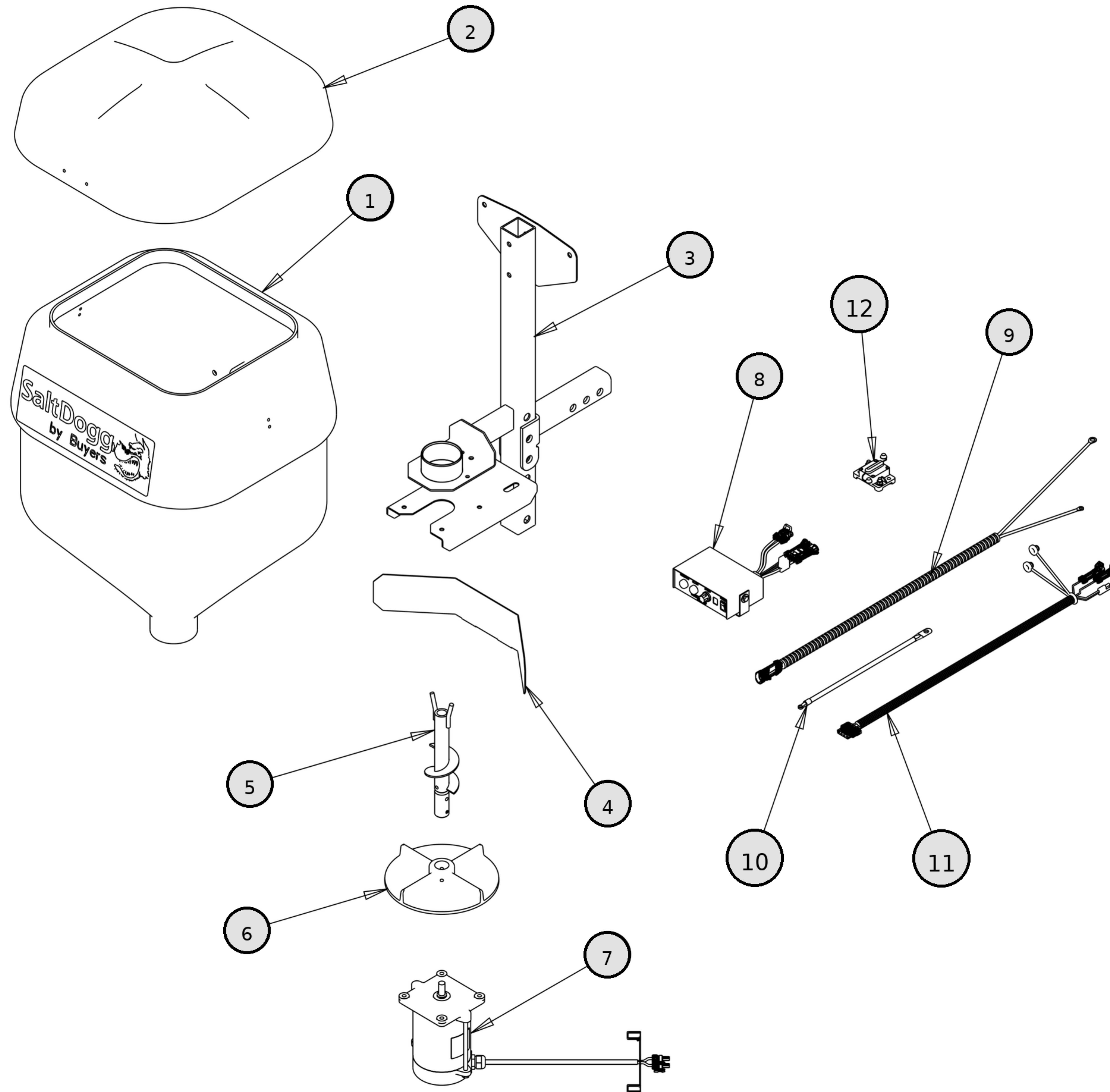


REF	PN	DESCRIPTION
ACC	3005423	CONVERSION KIT, TGSUV1B TO TGSUVPROA
ACC	3008076	VIBRATOR (OPTIONAL)
1	3017105	MOTOR AND FRAME ASSEMBLY, TGSUV1A
2	3013283	HOPPER W/INSERT AND GRAPHICS
3	3003571	LID, TGSUV
4	3015788	HOPPER RETAINER PLATE
5	3004589	2" RECEIVER SWING DOWN
6	3004590	1-1/4" RECEIVER SWING DOWN
7	3005977	SPINNER SHIELD, TGSUV1B
8	HP6253WC	HITCH PIN W/COTTER
9	3000544	SCREW,HH CAP 5/8-11 X 3.5 GR.5
10	FNE063011069	NUT-ELASTIC STOP 5/8IN-11, ZN
10	FNE063011069	NUT-ELASTIC STOP 5/8IN-11, ZN
11	FWF038100007SS	WASHER-FLAT USS, 3/8IN, SST
12	FCS038016100SS	SCREW CAP-3/8IN-16 X 1IN, HEX HEAD, SST
12	FCS038016100SS	SCREW CAP-3/8IN-16 X 1IN, HEX HEAD, SST
13	FNE038016044SS	NUT-NYLOCK, 3/8-16 X 7/16 THK,SST
13	FNE038016044SS	NUT-NYLOCK, 3/8-16 X 7/16 THK,SST
14	3007115	WASHER,FENDER,3/8IN, 1.5IN OD X .062 SST
15	3007068	SCREW,CAP,HEX HD,3/8-16X 3 SST
16	3000626P	LATCH KEEPER
17	FNE010024024SS	NUT, ELASTIC STOP 10-24 SST
18	FBSH01002475SS	SCREW,BTN HSCS 10-24 X 3/4INSST
19	3002982	LID LATCH
20	3001152	POWER HARNESS, TGSUV1B

**MAIN ASSEMBLY**  
TGSUV1B



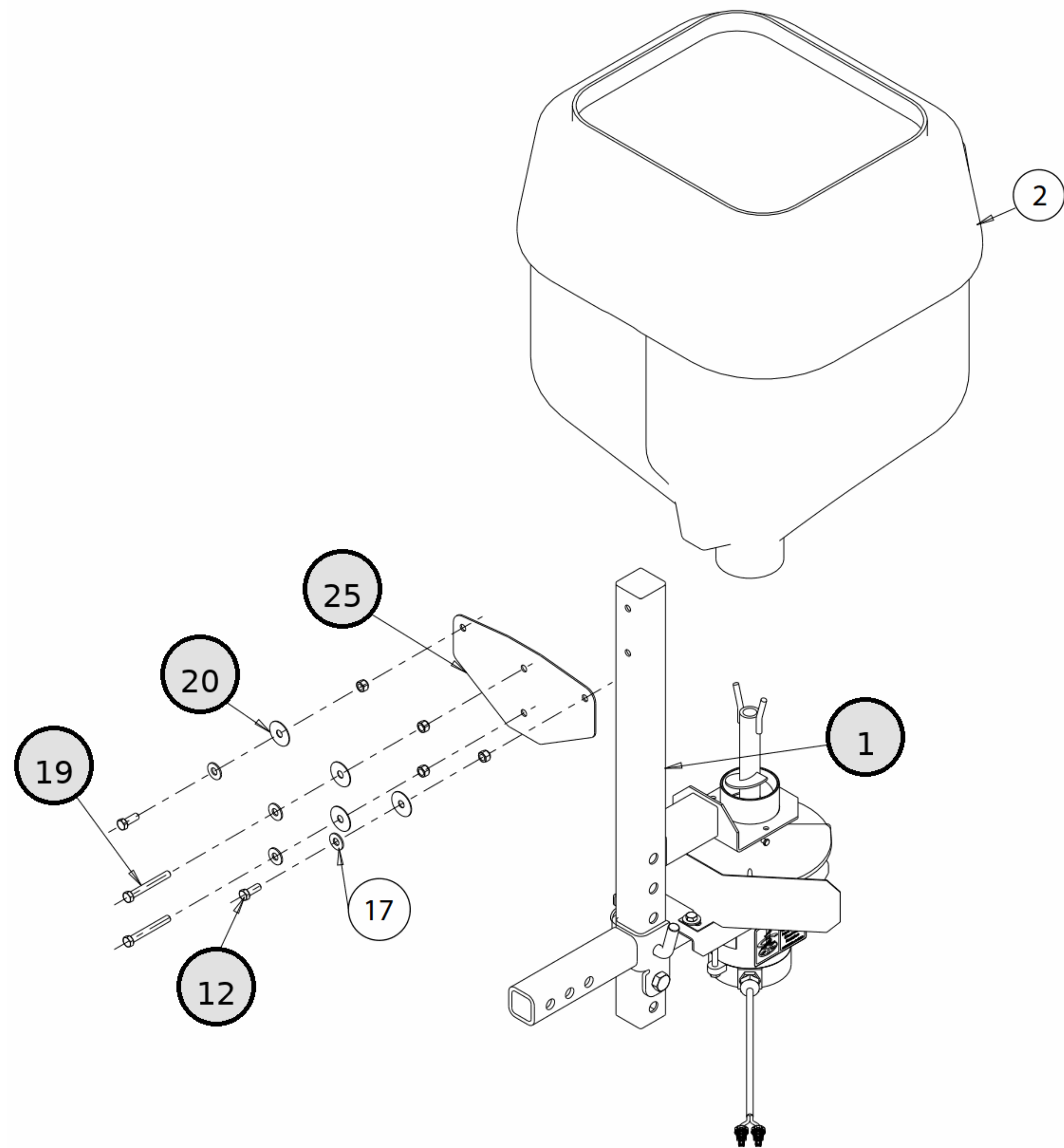
REF	PN	DESCRIPTION
-	3017105	MOTOR AND FRAME ASSEMBLY, TGSUV1B
N/S	3023316	FRAME CAP
1	3017104	FRAME WELDMENT, TGSUV1B
2	3007502	GATE, FLOW ADJUSTER, TGSUV1B
3	FWF025063007SS	WASHER,FLAT,1/4IN SAE,SST
4	FCS025020150SS	SCREW, HHC, 1/4-20 X 1.50, SST
5	3007508	SPRING,GATE, TGSUV1B
6	FNE025020031SS	NUT, NYLOCK, 1/4-20, GR A, SST
7	3005693	MOTOR, 12V DC, 3IN DIA, 1000 RPM
8	FWF025063007SS	WASHER,FLAT,1/4IN SAE,SST
9	FCS025020075SS	SCREW,CAP-1/4-20 X 3/4IN,SST
10	FWL025050006SS	WASHER,SPLIT LOCK,1/4IN,SST
11	FNH02502021SS	NUT-HEX, 1/4-20 THD, SST
12	3007809	SPINNER HUB, TGSUV1B
13	3005705	SPINNER,POLY,TGSUV1A & TGSUV1B
14	1420014	PIN,CLEVIS,SHK DIA .250,OAL 2.509
15	FPC007800075SS	COTTER PIN, 5/64 X 3/4, SST



REF	PN	DESCRIPTION
ACC	3008076	VIBRATOR (OPTIONAL)
1	3013283	HOPPER ASSEMBLY
2	3003571	LID
3	3017104	FRAME
4	3005977	SPINNER SHIELD
5	3007684	STANDARD AUGER
6	3005706	SPINNER
7	3014441	SPINNER MOTOR
8	3011864B	CONTROLLER
9	3035934	POWER CABLE
10	3001379	BATTERY CABLE
11	3008620	WIRE HARNESS
12	CB50PB	CIRCUIT BREAKER
50	3016233	FINE MATERIAL AUGER (OPTIONAL)

## MAIN ASSEMBLY

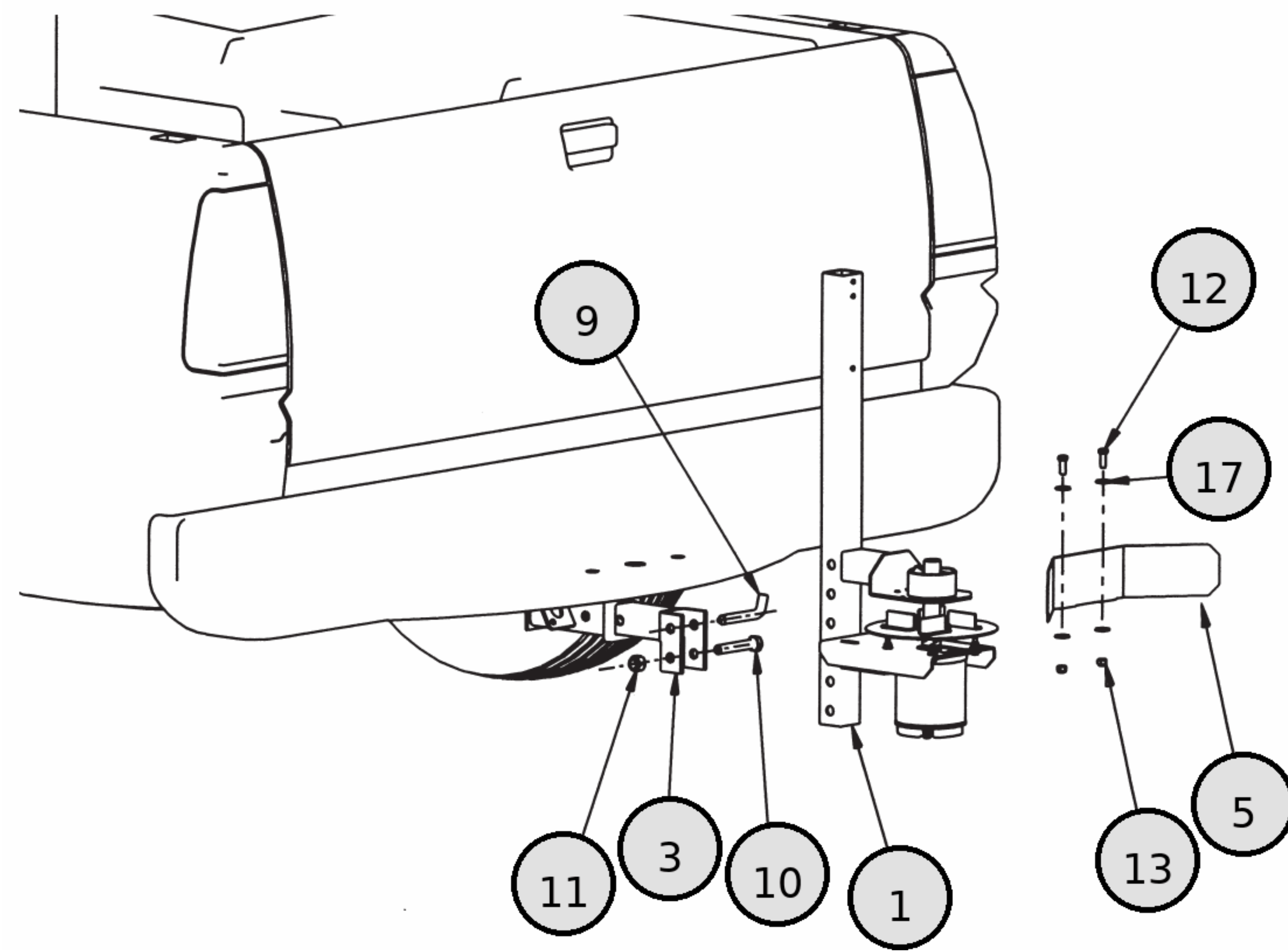
TGSUVPROA



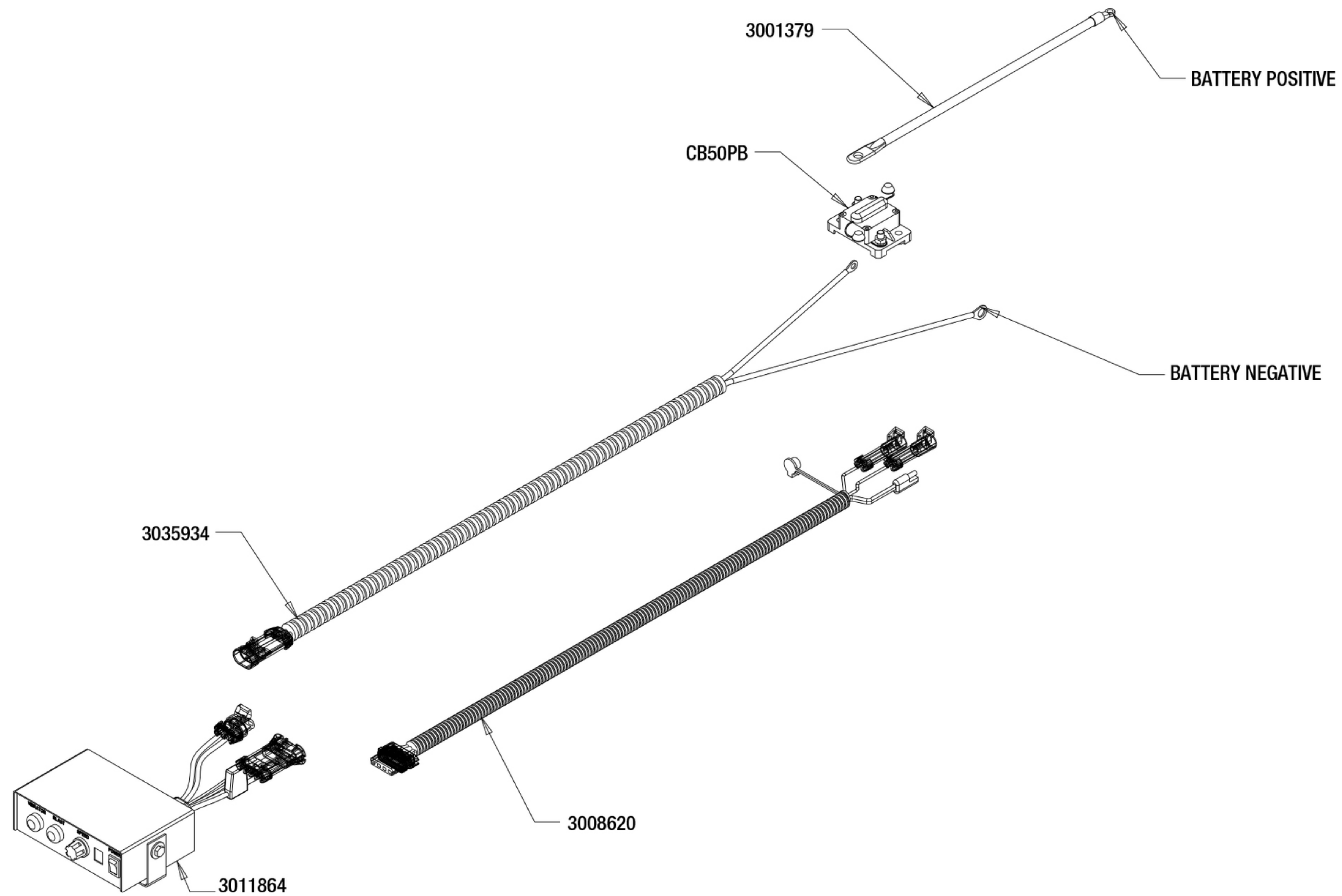
REF	PN	DESCRIPTION
1	3017107	MOTOR, FRAME ASSY TGSUVPROA
12	FCS038016100SS	SCREW CAP-3/8IN-16 X 1IN, HEX HEAD, SST
19	3007068	SCREW,CAP,HEX HD,3/8-16X 3 SST
20	3007115	WASHER,FENDER,3/8IN, 1.5IN OD X .062 SST
25	3015788	RETAINER HOPPER TGSUV

# HOPPER ASSEMBLY

TGSUVPROA



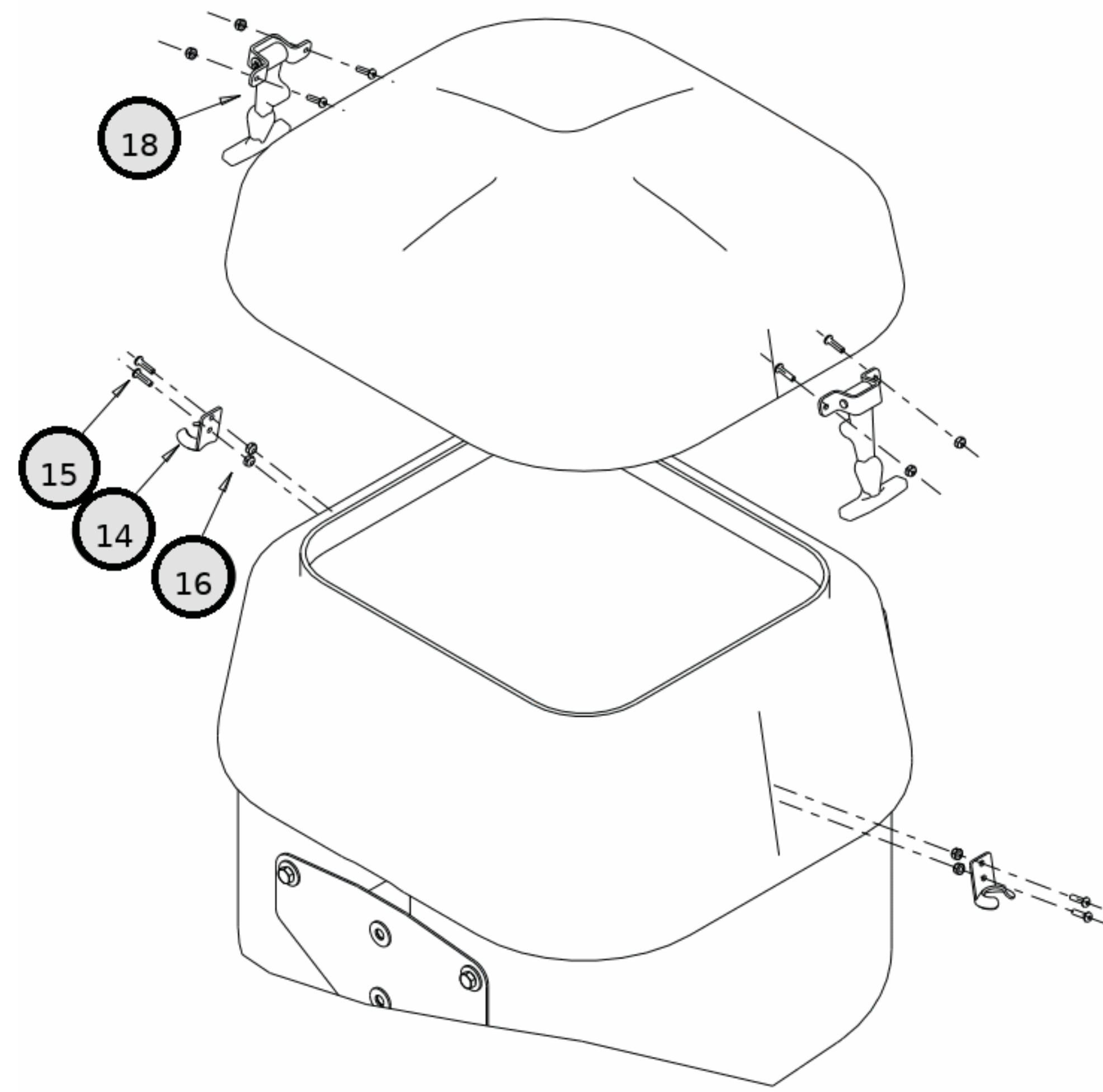
REF	PN	DESCRIPTION
1	3017107	MOTOR, FRAME ASSY TGSUVPROA
3	3004589	RECEIVER, SWING DOWN, TGSUV1
5	3005977	SHIELD, SPINNER, TGSUV1A
9	HP6253WC	PIN, 5/8IN HITCH, WITH HP COTTER, ZINC
10	3000544	SCREW, HH CAP 5/8-11 X 3.5 GR.5
11	FNE063011069	NUT-ELASTIC STOP 5/8IN-11, ZN
12	FCS038016100SS	SCREW CAP-3/8IN-16 X 1IN, HEX HEAD, SST
13	FNE038016044SS	NUT-NYLOCK, 3/8-16 X 7/16 THK, SST
17	FWF038100007SS	WASHER-FLAT USS, 3/8IN, SST



REF	PN	DESCRIPTION
1	3035937	KIT POWER CABLE REPLACES 3008615
1A	3035934	WIRE HARNESS POWER TGS
1C	3001379	CABLE, BATTERY RED 14IN LENGTH
2	3008620	REPLACEMENT WIRE HARNESS WITH VIBRATOR CONNECTION FOR SALTDogg® TGS SERIES SPREADERS
2	3054945	REPAIR PIGTAIL, TGS SPINNER, HARNESS SIDE
3	3011864B	REPLACEMENT VARIABLE SPEED CONTROLLER FOR SALTDogg® TGS SERIES SPREADERS
3	3021616	REPLACEMENT CONTROLLER ROCKER SWITCH FOR 3014199 AND 3011864
3	3055980	REPLACEMENT PUSH BUTTON, POWER/VIBRATOR, 3014199/3011864 WITH PUSH BUTTONS

## CONTROL WIRING

TGSUVPROA / TGS07 / TGS06 / TGS03 / TGS02



REF	PN	DESCRIPTION
14	3000626P	KEEPER,LATCH WJ201,PAINTED
15	FBSH01002475SS	SCREW,BTN HSCS 10-24 X 3/4INSST
16	FNE010024024SS	NUT, ELASTIC STOP 10-24 SST
18	3002982	HOOD CATCH,WJ201A W/SPCL BK PWD CTD BRKT